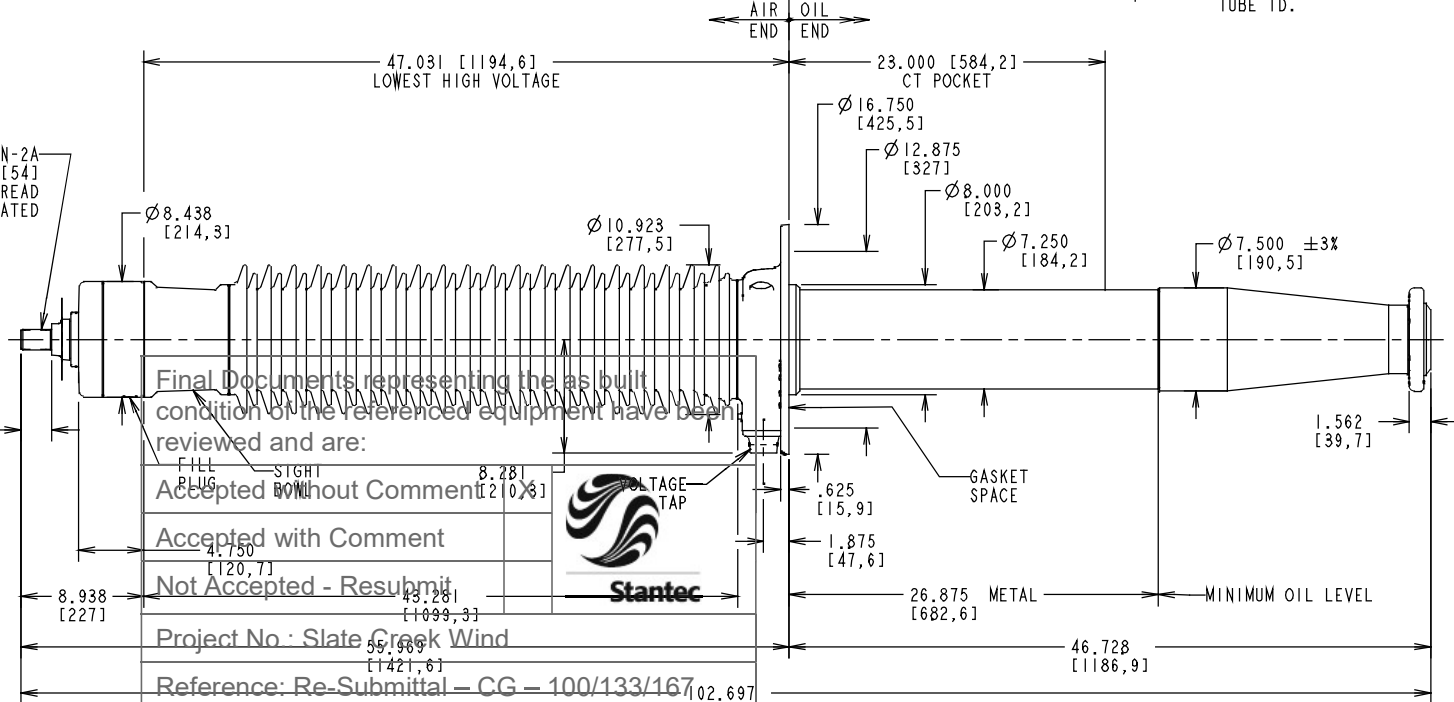
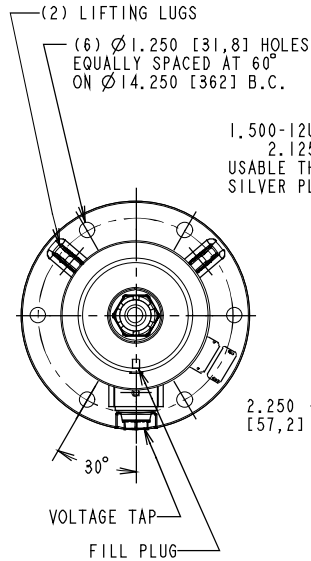
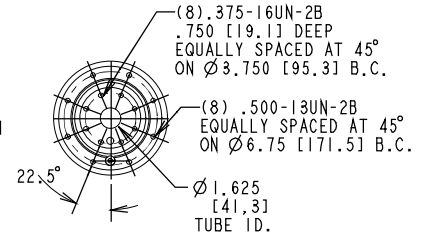
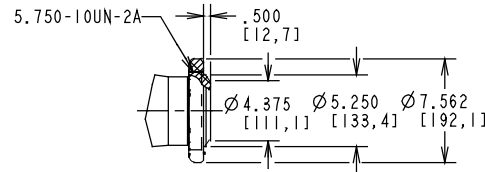


SPECIAL FEATURES: NONE

MAY BE CONVERTED TO DRAW LEAD CONNECTED BUSHING, STYLE 138Z0800AA, BY CHANGING THE TOP ACCESSORIES AND BOTTOM RING.



Final Documents representing the as built condition of the referenced equipment have been reviewed and are:

Accepted without Comment	8.281 [210,6]
Accepted with Comment	4.750 [120,7]
Not Accepted - Resubmit	43.281 [1093,3]

Project No: Slate Creek Wind
Reference: Re-Submittal - CG - 100/133/167
MVA 138-34.5 kV Main Power Transformer
Date: March 13, 2015

Signature: K. Malone
Reviewed by: Stantec Consulting Inc. is responsible for the purpose of starting general conformity with design. Contractor is responsible for the dimensions, fabrication and construction methods, coordination of sub-trades, detail design of components, and errors and omissions on shop drawings.

CREEP DISTANCE in. / [mm]	MINIMUM ARCING DISTANCE in. / [mm]	MAXIMUM ALTITUDE ft / [m]	MOUNTING ANGLE FROM VERTICAL deg	APPROX. WEIGHT lb / [kg]
143.438 [3643]	138.438 [3516]	43.281 [1099]	4200 [1280]	334 [151.5]

ABB Inc. ALAMO, TN U.S.A.		ABB	
TYPE: O Plus C II ™, IEEE, CONDENSER BUSHING		P/E FILE KEY: LINE 2/GEN_ASSY	
RESP. DEPT.: BUSHINGS	DFT: PERKINS 27-Jun-08	UNITS = in./[mm]	DRAWING NO: T138Z1216AK
CHKD:	SCALE = 0.156	LANG. = ENGLISH	REV.: 4
APPD: POLLARO 27-Jun-08			SHEET 1 OF 1

WE RESERVE ALL RIGHTS IN THIS DOCUMENT AND IN THE INFORMATION CONTAINED THEREIN. REPRODUCTION, USE OR DISCLOSURE TO THIRD PARTIES WITHOUT EXPRESS AUTHORITY IS STRICTLY FORBIDDEN. © ABB.

TM-602.00